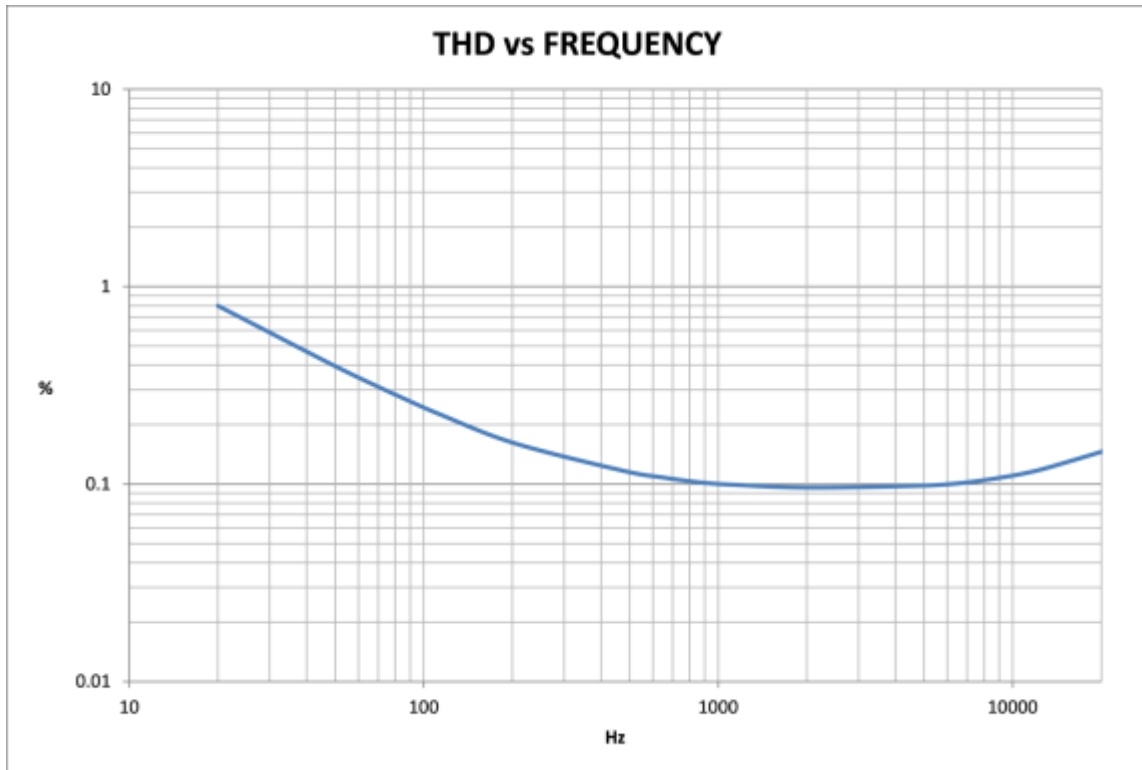
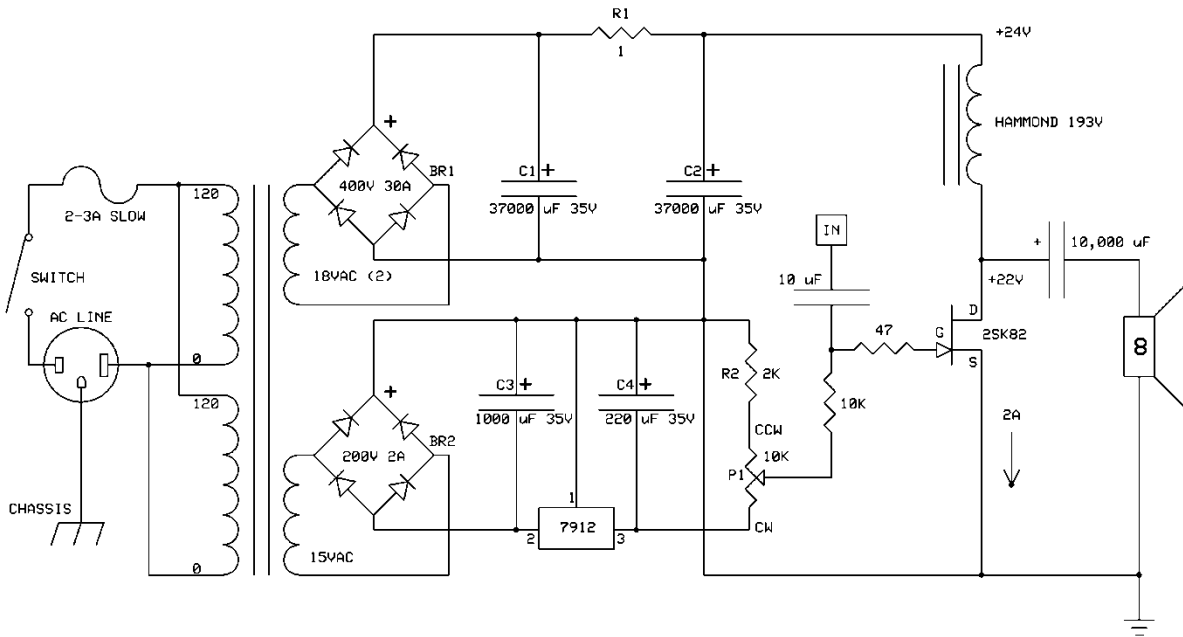
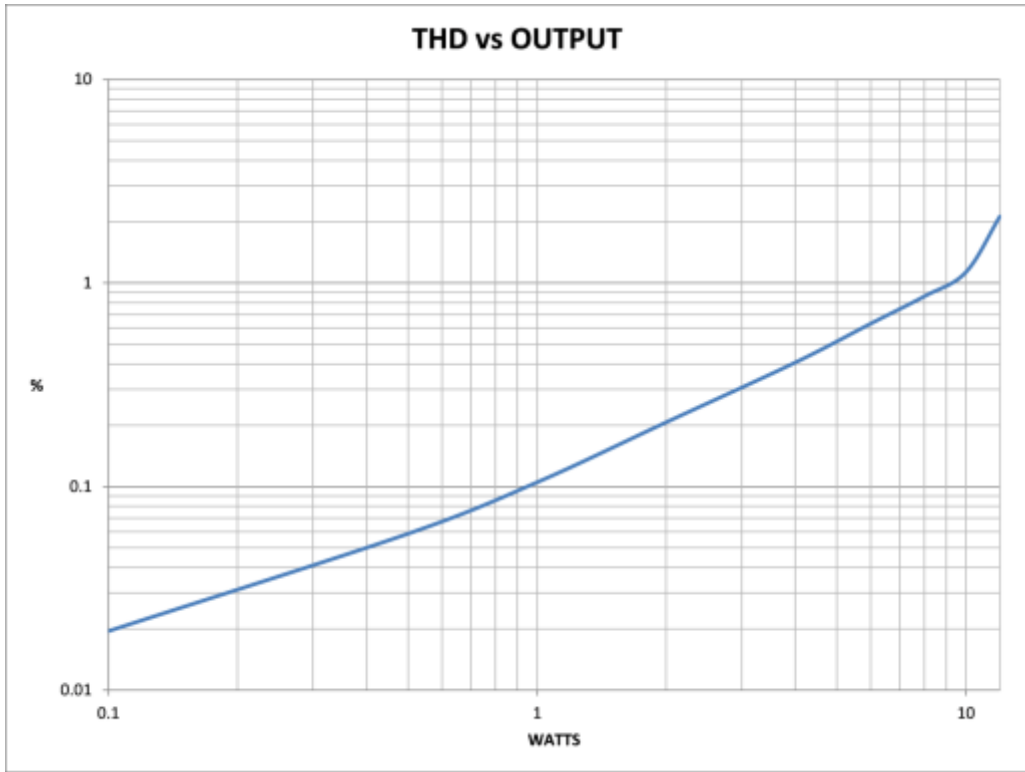


INDUCTOR L'AMP (HAMMOND 193V)





Frequency Response: -1.22dB @ 10Hz, -.21dB @ 100kHz